

UJV500 Daily Care



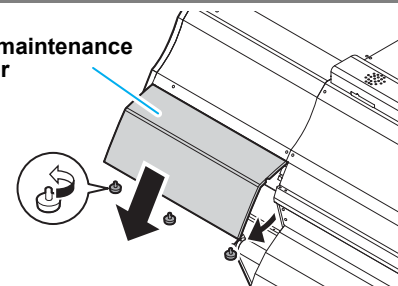
Make sure to wear the attached **goggles and glove** when you work.

With a view to using this machine in a better condition, please be sure to the following daily care **after at the end of the daily work**. Please refer to “Daily care manual” for the detail.

1. Perform [HEAD MAINT.], move the carriage to the maintenance position and open the left maintenance cover.

- (1) Press the **MAINT.** key in LOCAL.
- (2) Press the **ENTER** key.
- (3) Press **▲** **▼** to select [HEAD MAINT.].
- (4) Press the **ENTER** key.
- (5) Open the left maintenance cover.

Left maintenance cover

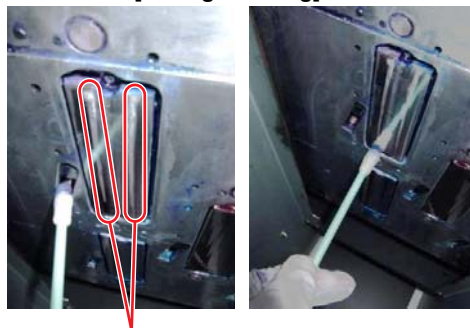


2. Wipe off the ink of around the head and groove with clean stick or waste cloth dipped in cleaning solution for maintenance.

[Before cleaning]



[During cleaning]



[After cleaning]



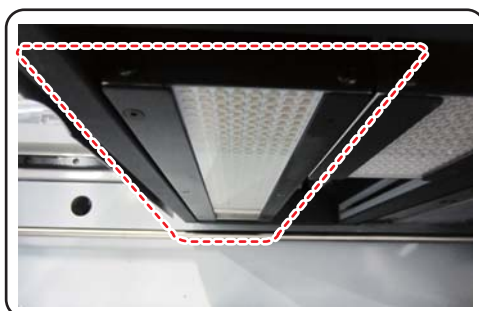
Important!

- When you clean, fully be careful not to touch the nozzle surface.

Important!

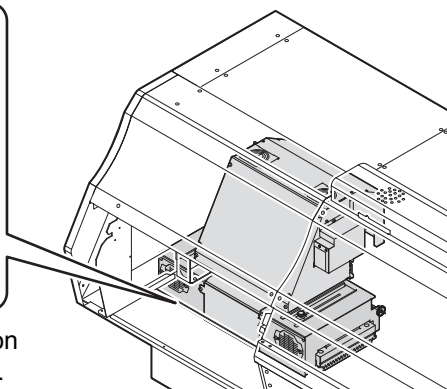
- When you leave during maintenance (or cleaning), please make sure to complete the cleaning by pressing **ENTER** key. Without completing the cleaning, the nozzle part is left uncovered and then outside light makes the ink cure, which causes nozzle clogging or the like.

3. If there is any ink stuck on the bottom surface of the left UV lamp, apply the cleaning solution for maintenance to a clean stick and wipe the ink away.



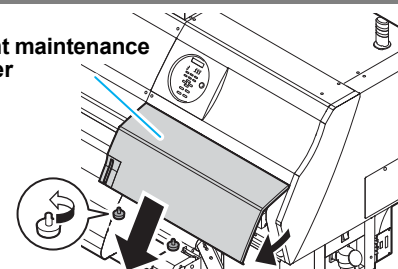
Important!

- Wipe off so that cleaning solution for maintenance will not remain.



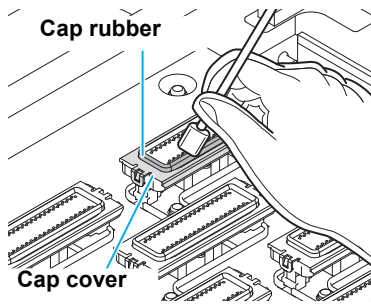
4. Open the right maintenance cover.

Right maintenance cover



① Cleaning of the cap

Wipe off the ink of the cap rubber and cap cover with clean stick or waste cloth dipped in cleaning solution for maintenance.



[Before cleaning]



[After cleaning]

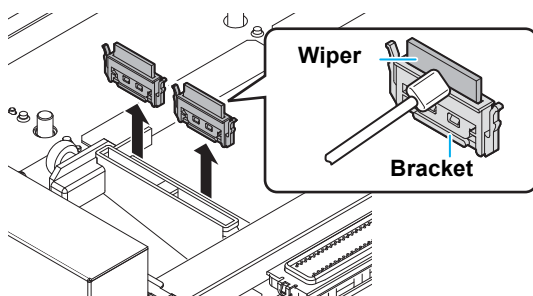


Important!

- After cleaning, make sure that the cap rubber and mesh in the cap are not removed.

② Cleaning of the wiper

Wipe off the ink of the wiper and bracket with clean stick or waste cloth dipped in cleaning solution for maintenance.



[Before cleaning]



[After cleaning]

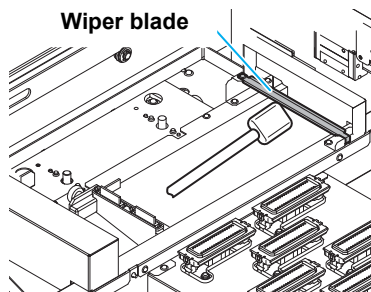


Important!

- After cleaning, make sure the edge of the wiper is horizontal.

③ Cleaning of the wiper blade

Wipe off the ink of the wiper blade with clean stick or waste cloth dipped in cleaning solution for maintenance.



[Before cleaning]

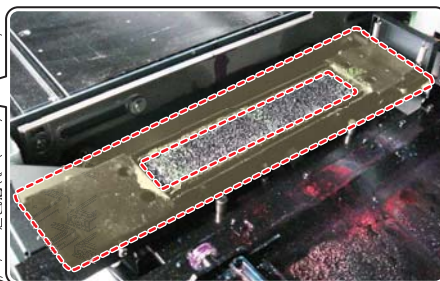
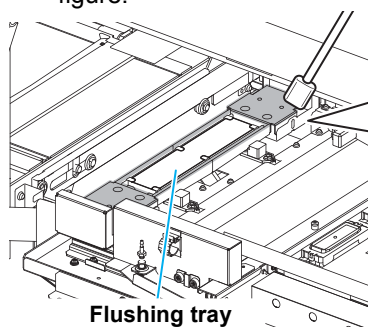


[After cleaning]



④ Cleaning of the flushing tray

Apply the cleaning solution for maintenance to a clean stick, and wipe away any ink stuck to the place shown in the figure.



Important!

- The coating may peel, but this does not cause any functional problems. It may get stuck to the carriage, though, so peel and wipe away any coating that is peeling.

5. Close the left and right maintenance cover.

6. Press **ENTER**, complete the cleaning.